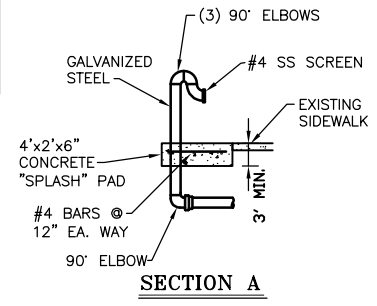
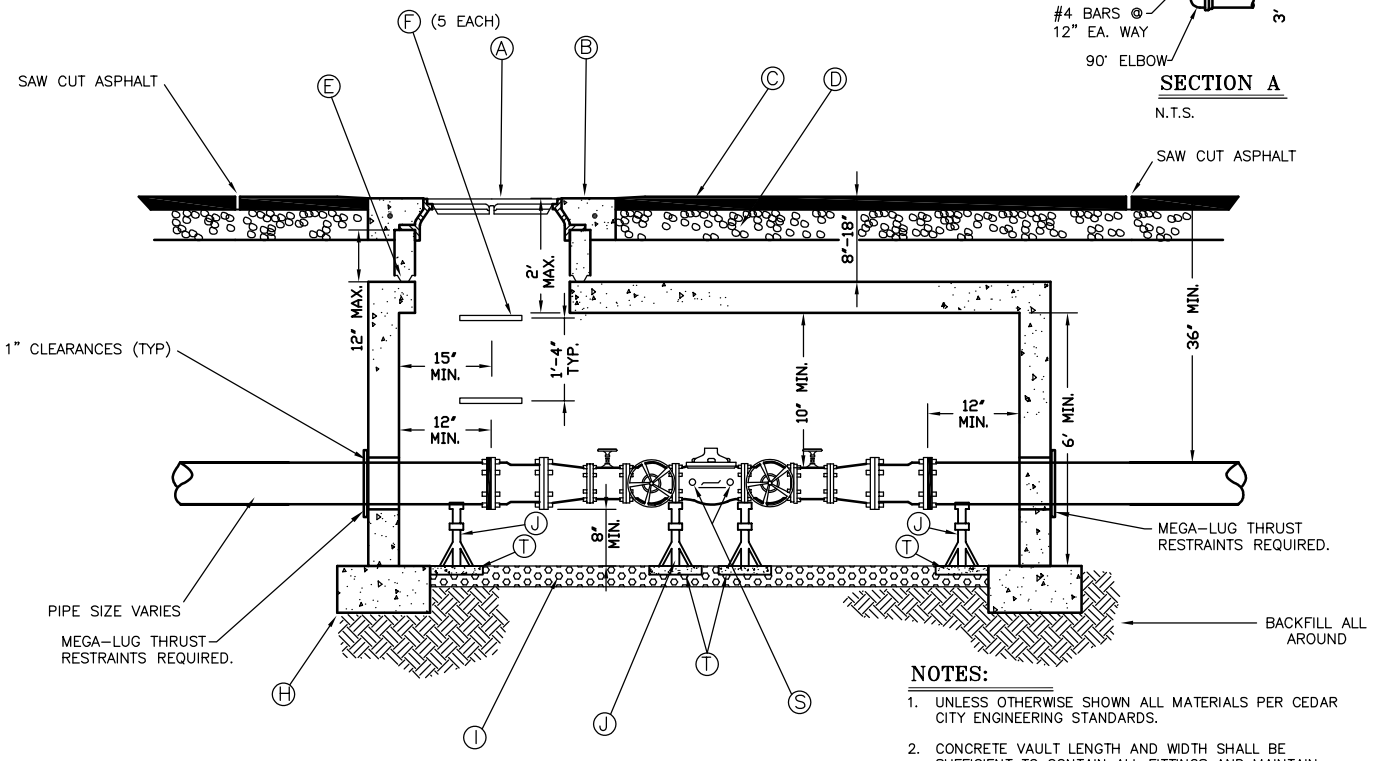


PLAN
N.T.S.



SECTION A
N.T.S.



ELEVATION
N.T.S.

- NOTES:**
- UNLESS OTHERWISE SHOWN ALL MATERIALS PER CEDAR CITY ENGINEERING STANDARDS.
 - CONCRETE VAULT LENGTH AND WIDTH SHALL BE SUFFICIENT TO CONTAIN ALL FITTINGS AND MAINTAIN INDICATED CLEARANCE FROM WALLS.
 - VAULTS ARE DESIGNED TO MEET ASTM C858 WITH AASHTO HS-20 LOADING.
 - ALL PIPE MATERIALS AND FITTINGS MUST BE RATED FOR WATER SYSTEM PRESSURE.

LEGEND

NO.	*	ITEM	DESCRIPTION	NO.	*	ITEM	DESCRIPTION
(A)		MANHOLE RING AND COVER (RIBLESS)	D&L A-1180 O.A.E.	(L)		x" X 6" FLANGED REDUCER (IF REQ'D)	CEMENT LINED
(B)		4' X 8" THICK CONCRETE COLLAR	W/ 40' X #4 BARS & FIBERS	(M)		6" FLANGED STEEL SPOOL WITH 2" OUTLET	EPOXY COATED AND LINED
(C)		3" ASPHALT MAT		(N)		2" GATE VALVE WITH HANDWHEEL	
(D)		8" COMPACTED UNTREATED BASE		(O)		6" GATE VALVE WITH HANDWHEEL	NON-RISING STEM
(E)		GRADE RING(S)	MUST BE SEALED	(P)		6" PRESSURE REDUCING VALVE	AWWA APPROVED (WATTS, O.A.E.)
(F)		MANHOLE STEP	(M.A. INDUSTRIES INC. O.A.E.)	(Q)		2" K-COPPER PIPE AND FITTINGS AS SHOWN	
(G)		CONCRETE VAULT TOP	AMCOR UV6127T O.A.E.	(R)		2" PRESSURE REDUCING VALVE	AWWA APPROVED (WATTS, O.A.E.)
(H)		9" X 18" FOOTING W/ 3-#4 BARS		(S)		3/4" TAPS w/ PRESSURE GAUGE	2 1/2", 0-300 PSI, GLYCERIN FILLED
(I)		4" THICK DRAIN GRAVEL		(T)		12" X 12" X 2" CONCRETE BLOCK	
(J)		(4) LEVELING JACKS (LENGTH VARIES)	SLIDEWINDER PART #23535 BY BARKER MANUF. CO.	(U)		BLOW OFF PRV	AWWA APPROVED (WATTS, O.A.E.)
(K)		x" M.J. X FLANGE ADAPTOR	CEMENT LINED	(V)		3" GATE VALVE w/ HANDWHEEL	

SHEET NO. **W4**
FILE: **WO4**

6" PRESSURE REDUCING VALVE
W/ 2" BYPASS

REVISIONS		
DATE	DESCRIPTION	BY
7/2021	ADDED ITEMS U & V, CHANGED ITEM J, P & R	J.A.S.

CEDAR CITY
10 NORTH MAIN STREET
CEDAR CITY, UTAH 84720
PH. (435) 586-2863

SCALE: **N.T.S.** DATE: **7/2021**
DRAWN: **T.B.M.** CHECKED: **J.A.S.**