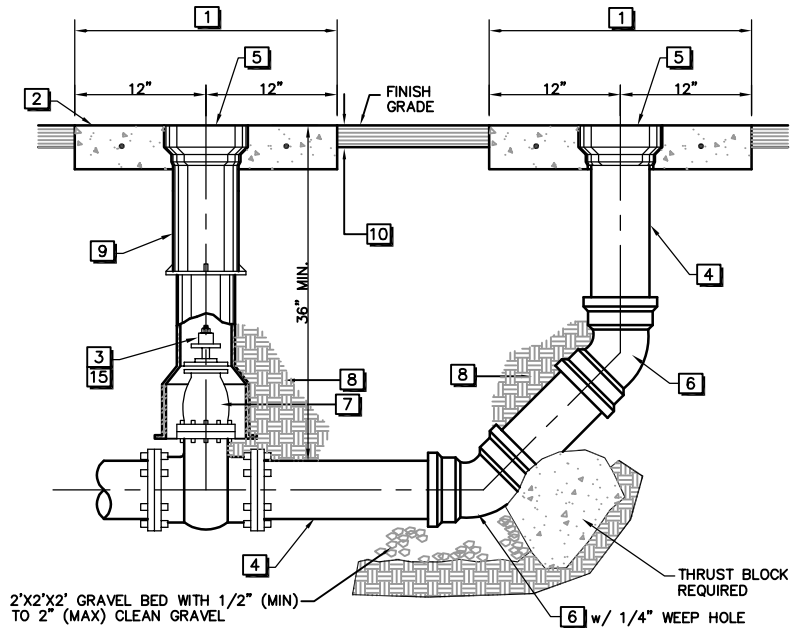


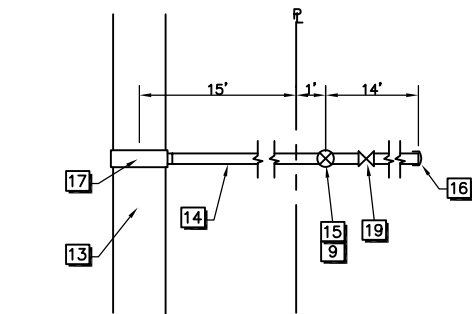
CONSTRUCTION NOTES:

- 1 24" SQUARE CONCRETE COLLAR 8" THICK.
- 2 TOP OF VALVE BOX AND CONCRETE COLLAR TO BE 1/4" BELOW FINAL STREET GRADE. REINFORCEMENT #4 BAR 16" \varnothing w/ FIBERS (TYP.)
- 3 IF TOP OF VALVE NUT IS MORE THAN 4' DEEP THEN VALVE STEM EXTENSION IS REQUIRED PER DETAIL.
- 4 CLEAN OUT PIPE SIZE & MATERIAL SHALL BE THE SAME AS THE PRESSURE SEWER MAIN.
- 5 PIPE METAL CAP w/ LETTERS "SEWER"
- 6 45° BEND REQ'D w/ RESTRAINT JOINTS (MEGALUG O.A.E.)
- 7 GATE VALVE (TYP.) w/ RESTRAINT JOINTS (MEGALUG O.A.E.)
- 8 TRENCH BACKFILL
- 9 CAST IRON SCREW TYPE VALVE BOX
- 10 PAVEMENT STRUCTURE AS SPECIFIED BY THE DESIGN AGENCY
- 11 TRACE-O-FLEX MARKER w/ TERMINAL POINTS BY CARSONITE - (ORANGE COLOR)
- 12 12 GA. INSULATED COPPER LOCATE WIRE DUCT TAPED TO TOP OF PIPE AT 10' INTERVALS
- 13 PRESSURE SEWER MAIN.
- 14 SCH. 40 PVC PIPE (SIZE VARIES)
- 15 GATE VALVE w/ 2" VALVE WRENCH NUT
- 16 PVC CAP
- 17 TAPPING SADDLE PER SPECS.
- 18 INLINE ISOLATION VALVE (SEE NOTES)
- 19 CHECK VALVE BY CUSTOMER AT TIME OF CONNECTION.



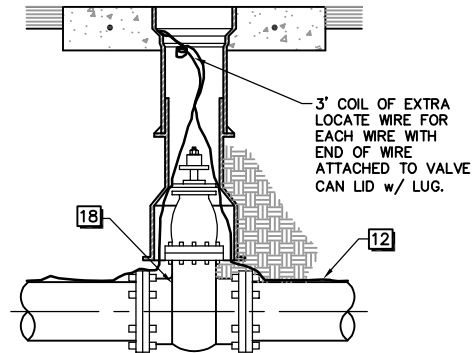
PRESSURE SEWER CLEAN-OUT DETAIL

N.T.S.



PRESSURE SEWER LATERAL

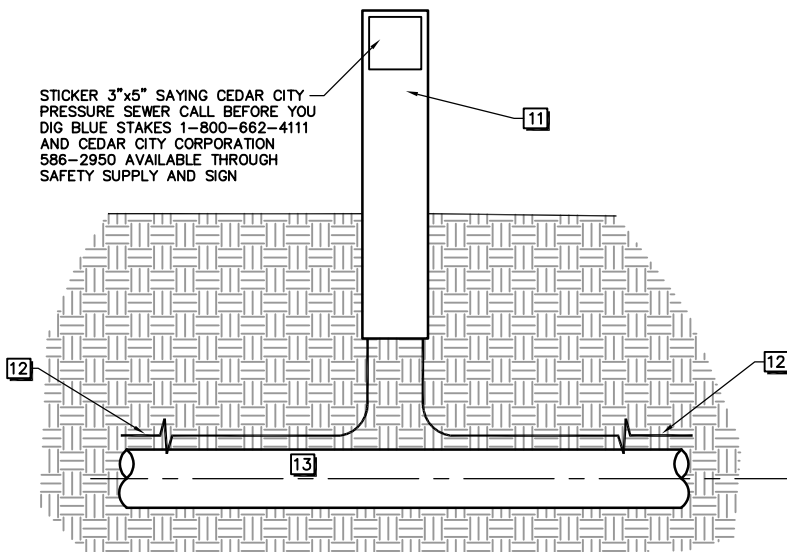
N.T.S.



PAVED AREA LOCATE WIRE TERMINATION

N.T.S.

STICKER 3"x5" SAYING CEDAR CITY PRESSURE SEWER CALL BEFORE YOU DIG BLUE STAKES 1-800-662-4111 AND CEDAR CITY CORPORATION 586-2950 AVAILABLE THROUGH SAFETY SUPPLY AND SIGN



UNPAVED AREA LOCATOR POST DETAIL

N.T.S.

NOTES:

- 1. LOCATOR POSTS TO BE PLACED AT 1000' MAX. SPACING NEXT TO IN-LINE VALVES AND BENDS ON PRESSURE SEWER MAIN.
- 2. PRESSURE SEWER CLEAN-OUT TO BE PLACED AT 1000 FT MAX. SPACING NEXT TO END OF PIPES OR IN-LINE VALVES.
- 3. IN-LINE VALVES TO BE PLACED EVERY 2000' MAX. ON PRESSURE SEWER LINES.
- 4. IN PAVED AREAS LOCATE WIRE SHALL BE TERMINATED IN THE VALVE CANS OF THE IN-LINE VALVES PER DETAIL.

SHEET NO. S8
FILE: S08

PRESSURE SEWER CLEAN-OUT, LATERAL AND LOCATOR POST

REVISIONS		BY
DATE	DESCRIPTION	

CEDAR CITY
10 NORTH MAIN STREET
CEDAR CITY, UTAH 84720
PH. (435) 586-2063

SCALE: N.T.S.	DATE: 7/2021
DRAWN: T.B.M.	CHECKED: J.A.S.