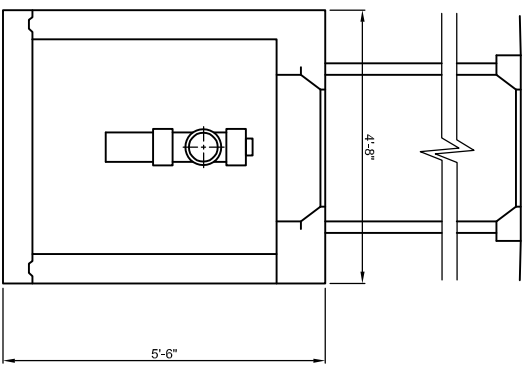
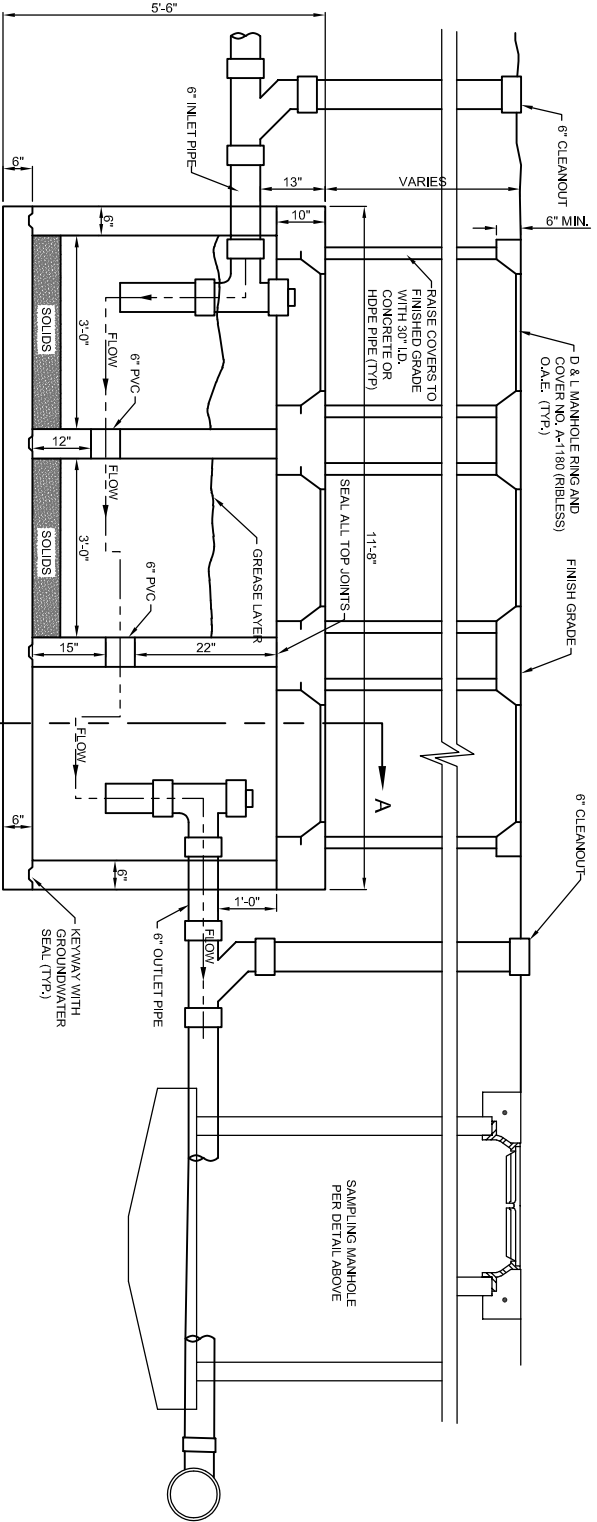


- SAMPLING MANHOLE NOTES:**
- MANHOLES IN ROADWAYS OR PARKING LOTS REQUIRE CONC. COLLAR. MANHOLES IN UNIMPROVED AREAS SHALL BE SET 6 INCHES ABOVE FINISH GRADE. (NO CONC. COLLAR REQ'D)
 - MANHOLE LID, RING AND CONCRETE COLLAR TO BE SET 1/4 INCH BELOW TOP OF ASPHALT.

- INTERCEPTOR NOTES:**
- MATERIAL SPECS:
 - CONCRETE PORTLAND CEMENT TYPE II, MINIMUM COMPRESSIVE STRENGTH=4000 PSI AT 28 DAYS.
 - REINFORCING BAR INTERMEDIATE GRADE 40 ASTM A615.
 - REINFORCING WELDED WIRE MESH ASTM A185.
 - UNIT COATED OUTSIDE WITH AN APPROVED PROTECTIVE FINISH. TO BE USED FOR PRECAST UNIT TO BE PLACED ON NATURAL SOIL OR APPROVED COMPACTED FILL.
 - STANDARD GROUND WATER SEAL-BUTYL ROPE MASTIC OR CEMENT MORTAR.
 - INTERCEPTOR MANHOLE COVERS TO BE SET FLUSH WITH ASPHALT OR CONCRETE PARKING LOT GRADES OR 6" MIN. ABOVE GRADE IN UNFINISHED OR LANDSCAPE AREAS.



SECTION AA VIEW

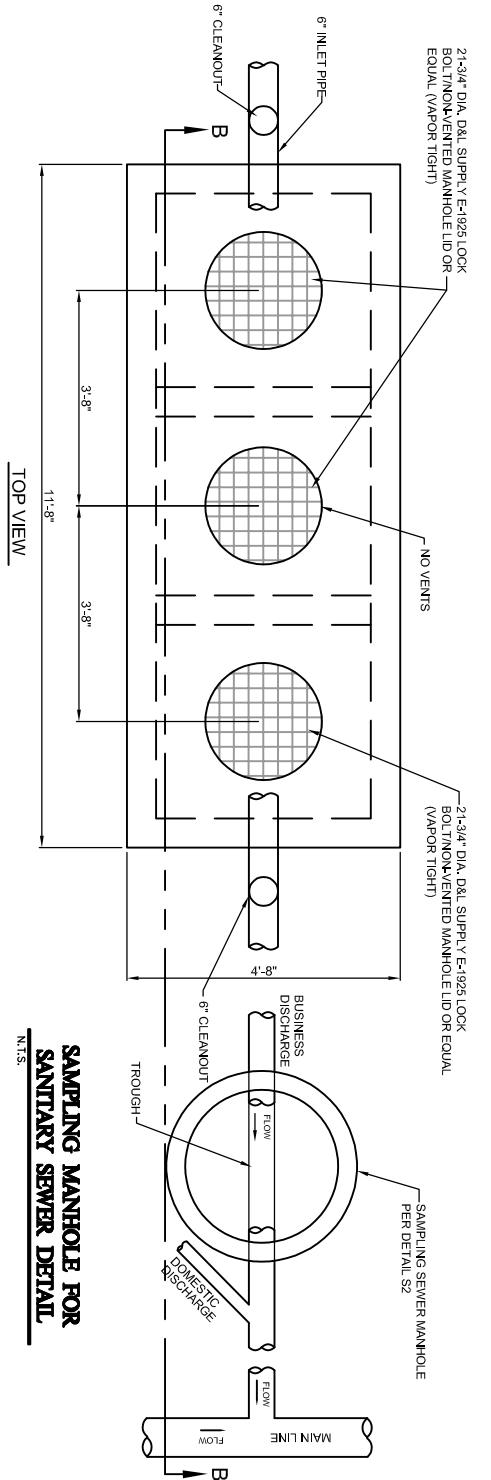


SECTION B-B VIEW

CONTACT CEDAR CITY WASTEWATER DEPARTMENT FOR FURTHER INFORMATION

GREASE, OIL, & SAND INTERCEPTOR DETAIL

N.T.S.



TOP VIEW

SAMPLING MANHOLE FOR SANITARY SEWER DETAIL

N.T.S.

SHEET NO.	S4
FILE:	S04

GREASE, OIL, & SAND INTERCEPTOR & SAMPLING MANHOLE FOR SANITARY SEWER

REVISIONS		
DATE	DESCRIPTION	BY

CEDAR CITY
 10 NORTH MAIN STREET
 CEDAR CITY, UTAH 84720
 PH. (435) 586-2983

SCALE:	N.T.S.	DATE:	7/2021
DRAWN:	T.B.M.	CHECKED:	J.A.S.