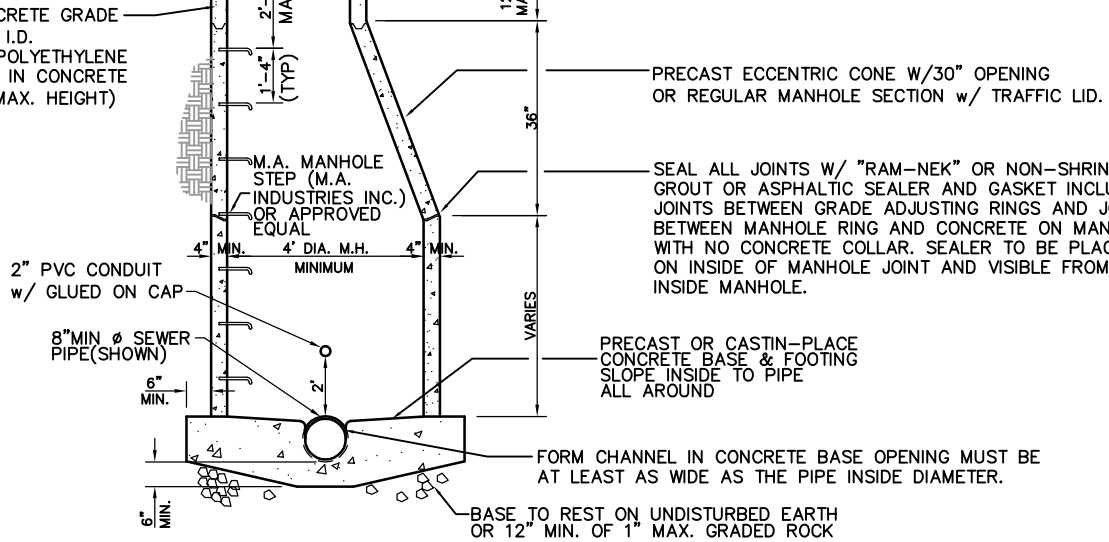


4' Ø CONCRETE COLLAR w/ (4) #4 BARS AND REINF. FIBERS, CONCRETE COLLAR THICKNESS 8" MINIMUM BUT THICK ENOUGH TO ENCASE GRADE RINGS (SEE NOTES 1, 2 & 7)

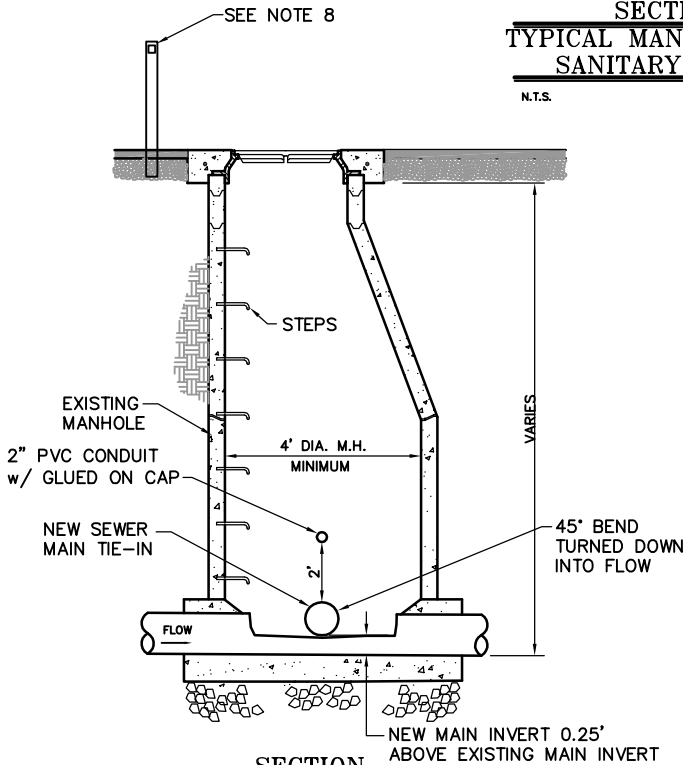
PRECAST CONCRETE GRADE RINGS OR 30" I.D. CORRUGATED POLYETHYLENE PIPE ENCASED IN CONCRETE COLLAR (12" MAX. HEIGHT)

D & L MANHOLE RING AND COVER NO. A-1180 (RIBLESS) CROSS HATCH DESIGN (O.A.E.) w/ "SEWER" LETTERING. NO LOW PROFILE LIDS WILL BE ALLOWED.



**SECTION**  
**TYPICAL MANHOLE FOR**  
**SANITARY SEWER**

N.T.S.

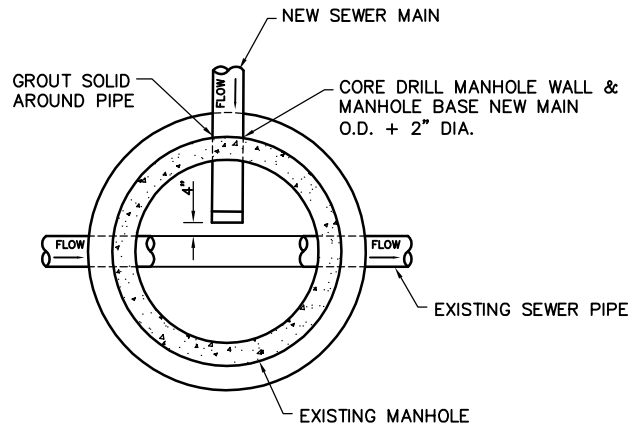


**SECTION**

N.T.S.

**EXISTING SEWER**  
**MANHOLE CONNECTION**

N.T.S.



**PLAN**

N.T.S.

**NOTES:**

- MANHOLES IN ROADWAYS REQUIRE CONC. COLLAR. TOP OF MANHOLE CONE IN UNIMPROVED AREAS SHALL BE SET 6 TO 12 INCHES ABOVE FINISH GRADE WITH NO GRADE RINGS. (NO CONC. COLLAR REQ'D)
- MANHOLE LID, RING AND CONCRETE COLLAR TO BE CENTERED ON MANHOLE OPENING AND SET 1/4 INCH BELOW TOP OF ASPHALT.
- 5' DIA. MANHOLES REQUIRED FOR ALL SEWER LINES OVER 15" DIA, OVER 12' DEEP MANHOLE OR 3 OR MORE IN COMING LINES. NO SEWER LATERALS SHALL BE INSTALLED IN MANHOLES.
- OUTLET PIPE INVERT TO BE 0.05 FEET (MINIMUM) LOWER THAN INLET PIPES IN ALL MANHOLES.
- NO WOOD OR PVC SHIMS WILL BE ALLOWED BETWEEN LID RING AND ADJUSTING RINGS OR MANHOLE.
- IF TRAFFIC LID IS USED, CONCRETE COLLAR CAN BE ELIMINATED IF TRAFFIC LID IS < 6" BELOW FINISHED ROAD GRADE.
- MANHOLES IN UNIMPROVED AREAS REQUIRE AN ORANGE CARSONITE CRM 66 INCH UTILITY MARKER BE PLACED WITHIN 4 FEET OF THE MANHOLE WITH A STICKER INDICATING SEWER MANHOLE.
- DROP MANHOLES AND ALL OTHER MANHOLES WITH PRESSURE LINE OF ANY SIZE OR GRAVITY LINES 15 INCH DIAMETER AND ABOVE SHALL BE CORROSION RESISTANT, ARMOR ROCK O.A.E. 125 MILS THICK.

SHEET NO.  
**S2**  
FILE:  
S02

**NEW SEWER MANHOLE**  
**& EXISTING CONNECTION**

**CEDAR CITY**  
10 NORTH MAIN STREET  
CEDAR CITY, UTAH 84720  
PH. (435) 598-2968

SCALE: N.T.S.	DATE: 8/2019
DRAWN: T.B.M.	CHECKED: K.C.W.