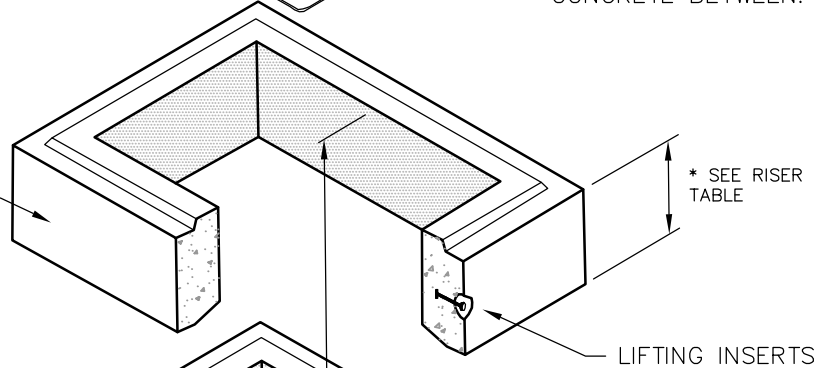
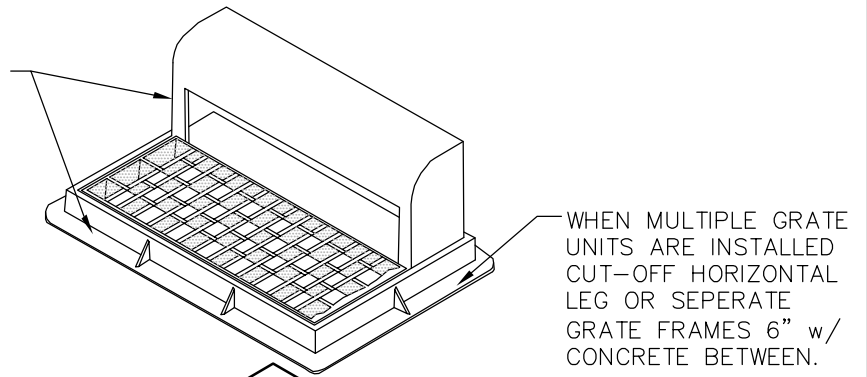


FRAME & GRATE  
(D&L SUPPLY I-3517 O.A.E.)

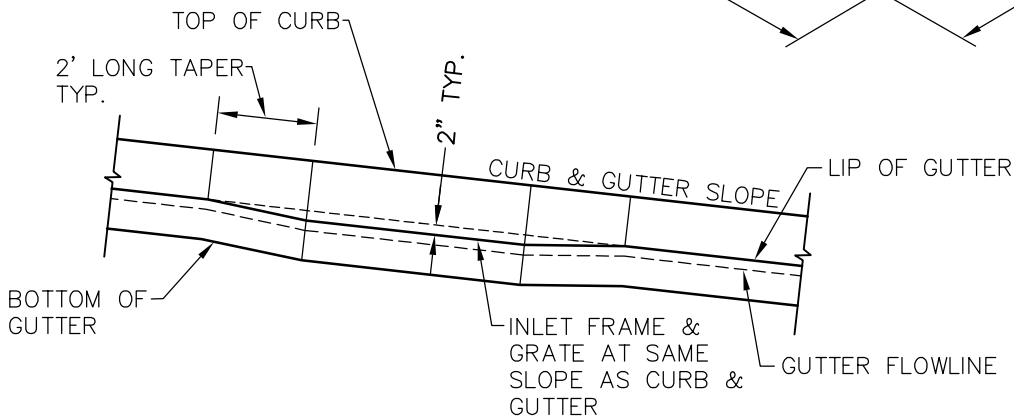
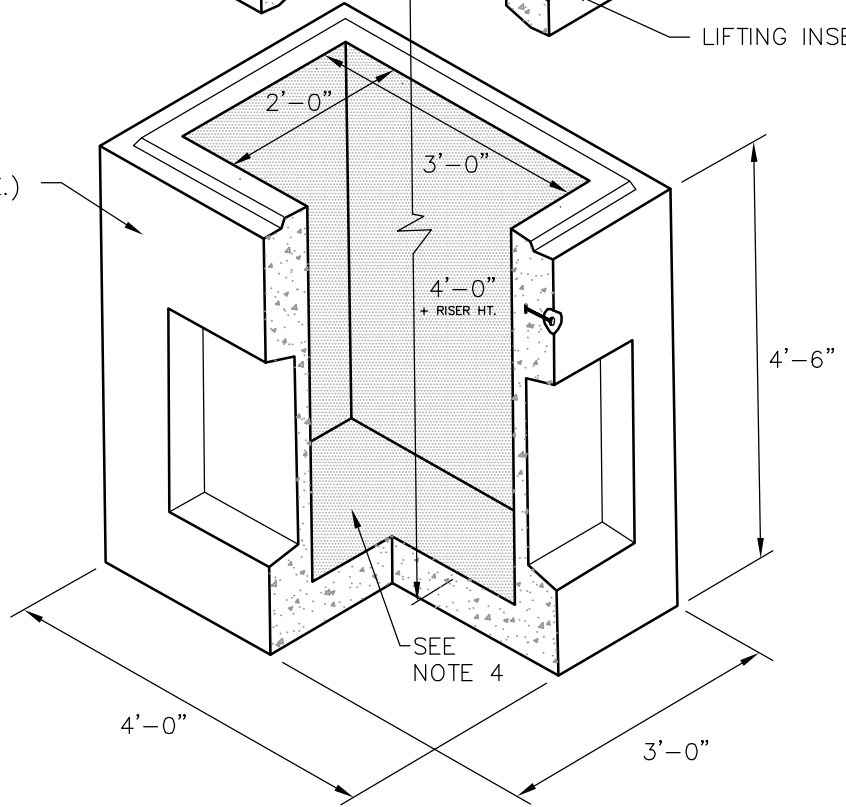
**NOTES:**

1. WHEN REQUIRED MULTIPLE UNIT ASSEMBLIES SHALL BE INSTALLED WITH A SINGLE CATCH BASIN ENLARGED ACCORDINGLY.
2. CAST IN PLACE BOXES MAY BE USED WHEN APPROVED BY THE CITY ENGINEER.
3. TOP OF INLET BOX GRATE TO BE RECESSED 2" LOWER THAN FLOWLINE OF GUTTER AS SHOWN IN DETAIL BELOW.
4. CONCRETE TROUGH FLOWLINE REQUIRED PER DETAIL D5 ON IN-LINE/FLOW THRU BOXES.
5. BOX & GRATE GRADE TO MATCH GRADE OF CURB AND GUTTER GRADE.
6. GRATE FRAME TO BE SET DIRECTLY ON TOP OF BOX OR TOP OF PRECAST CONCRETE GRADE RING AT THE ELEVATION 2" LOWER THAN FLOWLINE OF THE CURB AND GUTTER PER THE INLET RECESS DETAIL BELOW.



CATCH BASIN  
(AMCOR CB125 O.A.E.)

HEIGHT	RISER CODE	WEIGHT
1'	CB231R	930#
2'	CB232R	1860#
3'	CB233R	2790#



**INLET RECESS DETAIL**